



FD66-100

Drilling Unit

Specification

Hydraulic Pressure	20~25kg/cm ²
Drilling Capacity	φ 20(mild steel)
Flow Control Valve	FCC-G02-4(R)
Max. Revolution/Minute	3,800rpm
Weight	66kg
Stroke	100mm
Cylinder Diameter	φ 80
Cylinder Area	Forward 37.7cm ² , Backward 17.1cm ²
Thrust Force	754kg(20kg/cm ²)
Chuck Type	ER32- φ 20, JT6- φ 13
Power	1.5kw-2P or 4P, 220V/380V

Consumption Parts

Spindle Bearing	a. 32006x1, 6006Zx1, 32005x1, 6005Zx1
	b. 7006x2, 7005x2
Pulley Bearing	51209x1, 6009Zx1
O-Ring for Front Cover	DH-65x1, SKY-65x1, G-80x2
O-Ring for Piston	OSY-80x2, G-45x1
O-Ring for Rear Cover	P35x1, SKY-35x1, G-75x1
Bush Seal	SER-20x8

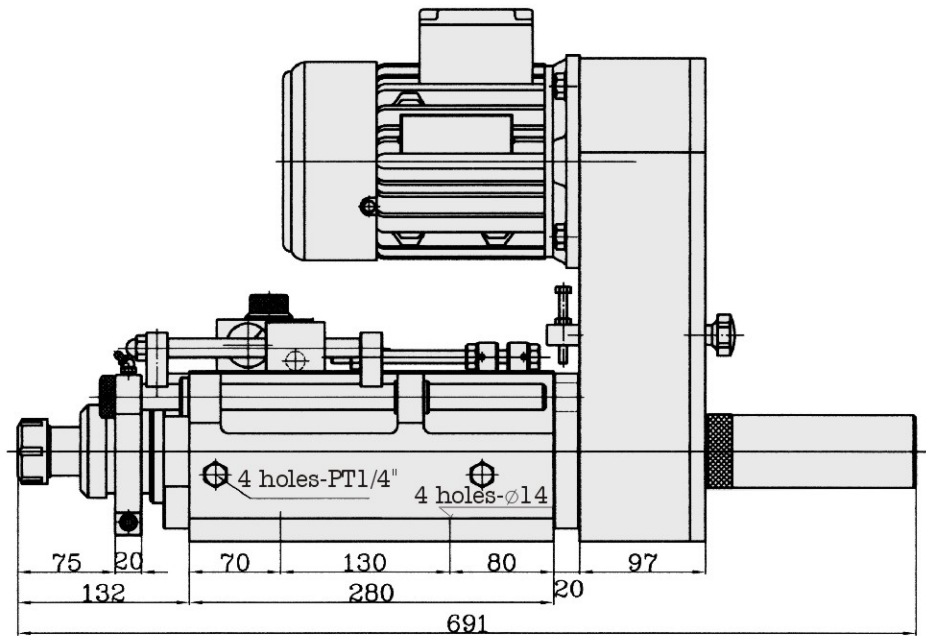
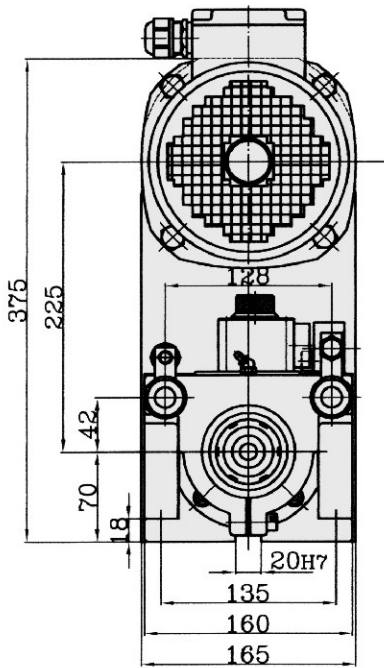




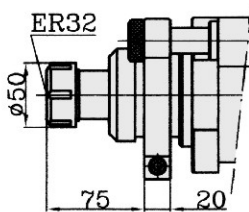
FD66-100

Drilling Unit

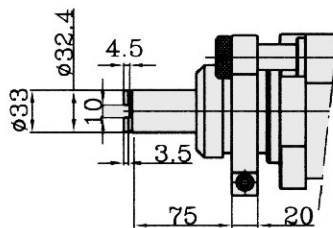
Dimensions



FD66-100-ER32



FD66-100-KH22A



FD66-100-HSK40

